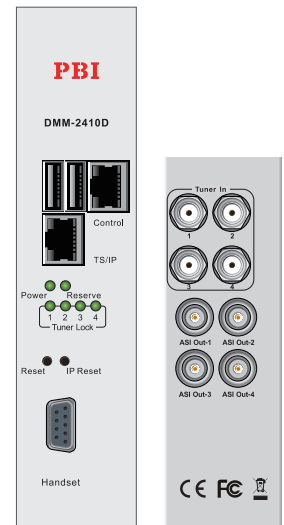


DMM-2410D Series Professional Quad Demodulator

The DMM-2410D professional Quad Demodulator provides operators an ideal solution for multiple channel receiving and remultiplexing operations. Equipped with 4 independent tuners and 1 TS over IP inputs, DMM-2410D ensures compatibility with all transmission media, such as DVB-S2/S/T/T2/C and so on. The DCH-2410D's remultiplexing capabilities enable the creation of new transport streams that are subsets of the original inputted stream. Customized services may be output as multiple SPTS or MPTS over IP, as well as over ASI. All these architectures make the DCH-2410D an ideal product for DTV signals receiving and demodulation.

Main features

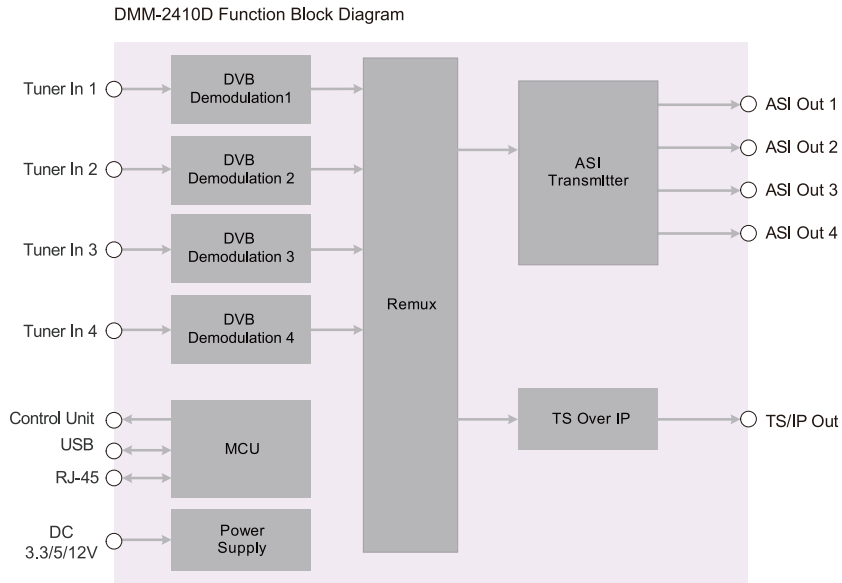
- Variety of tuner factory options DVB-T2/S2/S/C/T/T2 and TS/IP
- Built-in TS re-multiplexer receives 4xTuner and TS/IP input
- Dynamic PMT detection and automatic updating
- UDP/RTP, Unicast/Multicast, and SPTS/MPTS over IP
- Remote Control and Supervision by SNMP, HTTP WEB and Proprietary HDMS software
- On Site software update through IP
- RSSI, received Eb/No & BER monitoring



Specification

DVB-S/S2 Tuner Input		
Connector Type	4×F type female 75Ω for Input	
Input Frequency Range	950~2150MHz	
Input Level	-25~-65dBm	
Symbol Rate	2~45MBaud	
Roll-off Factor	DVB-S QPSK: 0.35 DVB-S2 8PSK: 0.35, 0.25, 0.2	
FEC Code Rate	DVB-S QPSK: 1/2, 2/3, 3/4, 5/6, 7/8 DVB-S2 QPSK: 1/2, 3/5, 2/3, 3/4, 4/5, 5/6, 8/9, 9/10 DVB-S2 8PSK: 3/5, 2/3, 3/4, 5/6, 8/9, 9/10	
Satellite Selection Command	DiSEqC 1.0	
LNB Polarity Selection Voltage	0, 13V, 18V selectable	
LNB Band Selection Tone	0/22KHz selectable	
DVB-C Tuner Input		
Connector Type	4×F type female 75Ω	
Input Frequency Range	48~860MHz	
Input Level	45~75dBμV	
Symbol Rate	1~7Mbauds (ITU J.83 Annex A)	
Constellation	16/32/64/128/256QAM	
Bandwidth	6MHz/7MHz/8MHz	
Return Loss	7dB	
DVB-T/T2 Tuner Input		
Connector Type	4×F type female 75Ω	
Input Frequency	104~862MHz (VHF/UHF)	
Input Level	-20~-70dBm	
Constellation	DVB-T: QPSK, 16QAM, 64QAM DVB-T2: QPSK, 16QAM, 64QAM, 256QAM	
Bandwidth	6MHz/7MHz/8MHz	
FFT Mode	DVB-T: 2K/8K DVB-T2: 1K, 2K, 4K, 8K, 16K, 32K	
Guard Interval	DVB-T: 1/4, 1/8, 1/16, 1/32 DVB-T2: 1/4, 5/32, 1/8, 5/64, 1/16, 1/32, 1/64, 1/128	
FEC Code Rate	DVB-T: 1/2, 2/3, 3/4, 5/6, 7/8 DVB-T2: 1/2, 3/5, 2/3, 3/4, 4/5, 5/6	
Return Loss	7dB (typ.)	
TS over IP		
Connector Type	1×RJ-45, 10/100 Base-T for TS/IP	
Protocol	UDP/RTP, Multicast/Unicast, IGMP 2, V3	
Effective Bit Rate	Support 3 different mode (reboot is needed to change the TS/IP mode): 1. Max.430Mb/s, output only, 5x multicast/unicast MPTS (TS comes from Tuner 1 to 4 pass through, 1x channel from built-in Remux) 2. Max.430Mb/s, output only, 128x multicast/unicast SPTS (TS comes from either tuner 1 to 4 or built-in Remux) 3. Max.80Mb/s, full duplex, 1x multicast/unicast MPTS/SPTS input and output	
Control & Monitoring		
Connector Type	1×RJ-45, 10/100 Base-T, for equipment IP Control	
Remote Control	SNMP, HTTP (Web Interface), Proprietary HDMS (Headend Device Management System)	
Software Upgrade	FTP Loader and Telnet	
Physical		
Power Supply	DC 3.3V/5V/12V	
Power Consumption	15W	
Weight	560g	
Storage temperature	-10 to 55°C	
Operating Humidity	10~90%, non-condensed	

Block Diagram



Order Information

Interface	Model	DMM-2410D-S2/S	DMM-2410D-T2/T	DMM-2410D-C
Tuner Input	DVB-S/S2	x4		
	DVB-T/T2		x4	
	DVB-C			x4
Output	ASI	x4	x4	x4
	TS/IP	•	•	•