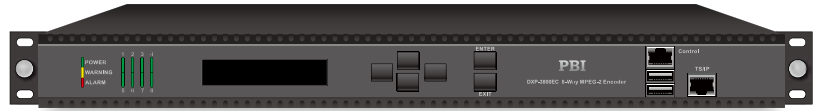


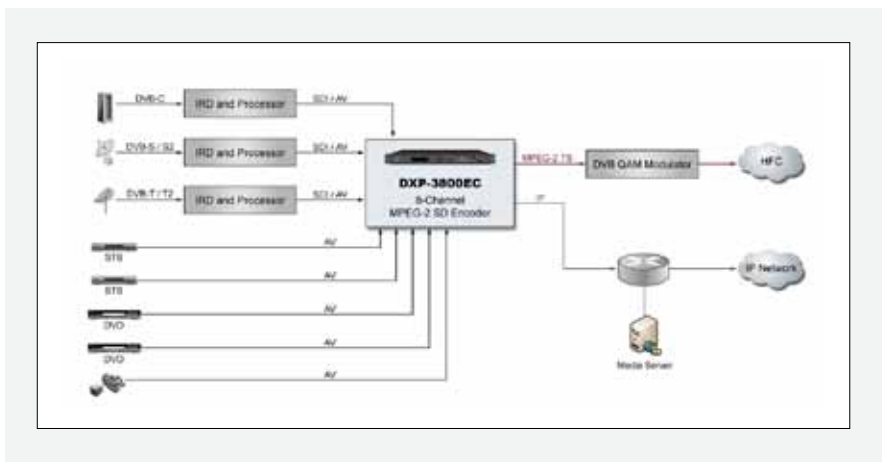
## DXP-3800EC 8-Channel MPEG-2 SD Encoder

DXP-3800EC is an integrated 8-way high density MPEG-2 Encoder. Eight ways of Standard Definition (SD) base band real time A/V programs could be encoded simultaneously. These streams encoded could be re-multiplexed with the stream from its ASI input port. The final re-multiplexed Transport Stream (TS) is available at its Gigabit TSoverIP port and ASI output port.

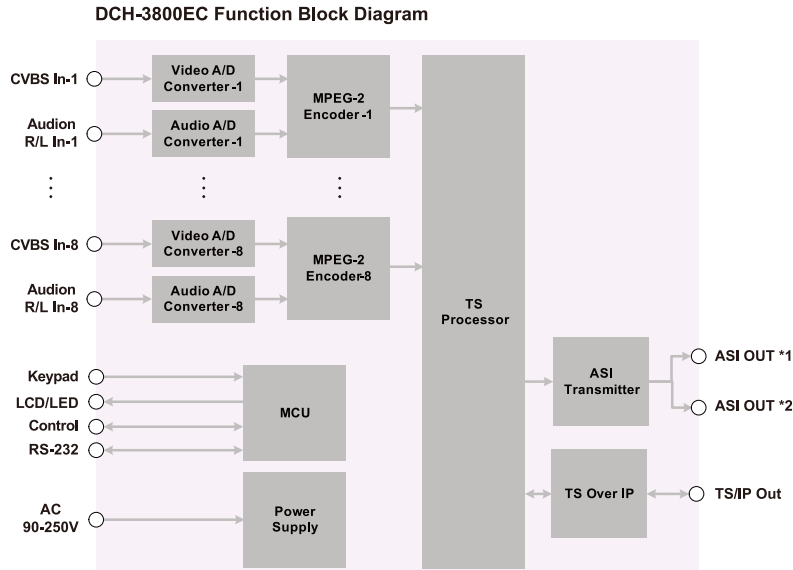


### Main Feature

- Comply with MPEG-1(ISO/IEC11172), MPEG-2 MP@ML(ISO/IEC13818)
- 8-way encoder with re-multiplexed integrated
- 1 ASI input (for daisy chain) & 1 ASI output
- Full duplex Gigabit TS over IP
- Video resolutions: 576i (PAL, SECAM) & 480i (NTSC)
- SNMP & HTTP WEB
- Redundant Power Supplies
- 19" x 1 U EIA standard chassis



Block Diagram

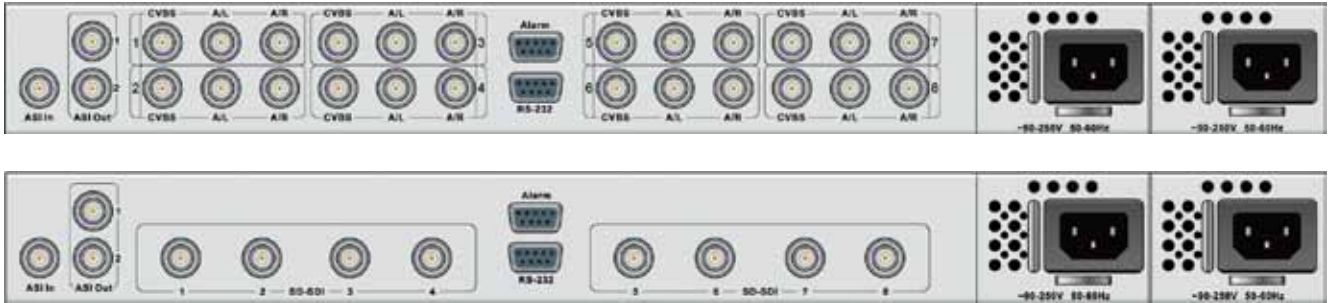


Specification

<b>Video input &amp; Encode</b>	
Number of input ports	CVBS x 8
Encoding Standard	MPEG-2 MP@ML
Chrominance Format	4:2:0
Compression Bit Rate	1.5Mbps~10Mbps
Main Video Resolutions & Recommended	480i(720×480)@29.97Hz: SMPTE656M: 3~6Mb/s
Compression Bit Rates	576i(720×576)@25Hz: SMPTE656M: 3~6Mb/s
Other Video Resolutions	Half D1,SIF,QSIF
<b>Audio Input &amp; Encode</b>	
Number of input ports	8 pairs of Stereo Audios
Compression Standard	MPEG1 Layer I MPEG1 Layer II
Sampling Rate	32KHz, 44.1KHz, 48KHz
Compression Bit Rate	MPEG1 Layer I: 64~256Kb/s MPEG1 Layer II: 32~384Kb/s
<b>DVB-ASI Input</b>	
Interface	BNC Female, 75Ω
Maximum Input Bit rate	100 Mb/s
Data Transfer type	Byte
Packet Length	188 or 204 Bytes
Signal Level	200 ~ 880mVp-p
<b>DVB-ASI Output</b>	
Interface	BNC Female, 75Ω

Effective Data Rate	1.5 Mb/s~70 Mb/s
Data Transfer type	Byte
Packet Length	188 or 204 Bytes
Signal Level	800±80mV
<b>Gigabit TS_over_IP</b>	
Standard	IEEE 802.3, 10/100/1000 Base-T, Full Duplex
Maximum Effective Bit Rate	80Mb/s
Data Protocol	UDP or RTP, SPTS or MPTS
Control Protocol	ICMP, ARP, IGMPv2
<b>Interfaces on Rear Panel</b>	
ASI In	1 x BNC Female, 75Ω
CVBS In	8 x BNC Female, 75Ω
AUDIO In	8 x BNC Female, 75Ω
ASI Out	2×BNC Female, 75Ω(1 Backup)
<b>Interfaces on Front Panel</b>	
Control	1×RJ-45, 10/100 Base-T
TS/IP	1× IP (GbE), RJ-45, 10/100/1000 Base-T, Full Duplex
Display	2 x 20 LCD Display
<b>Others</b>	
Power Supply	AC90~260V 50/60Hz
Operating Temperature	0 ~ 45°C
Storage Temperature	-10 ~ 60°C
Operating Humidity	10~90%, non-condensed

### Back Panel Interface



### Order Information

Function		DXP-3800EC-C	DXP-3800EC-S
Input	CVBS x8	•	
	SDI x8	•	•
	ASI	•	•
Output	ASI x2 (1xBackup)	•	•
	GbE	•	•
Alarm		•	•
Control		•	•
RS-232		•	•